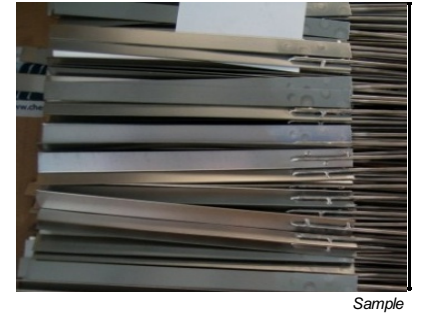


Typical Installations

Connection between power source and distribution bar.
To be spot welded on distribution bar in concrete Cathodic Protection of MMO HISEO Ribbon Mesh installations



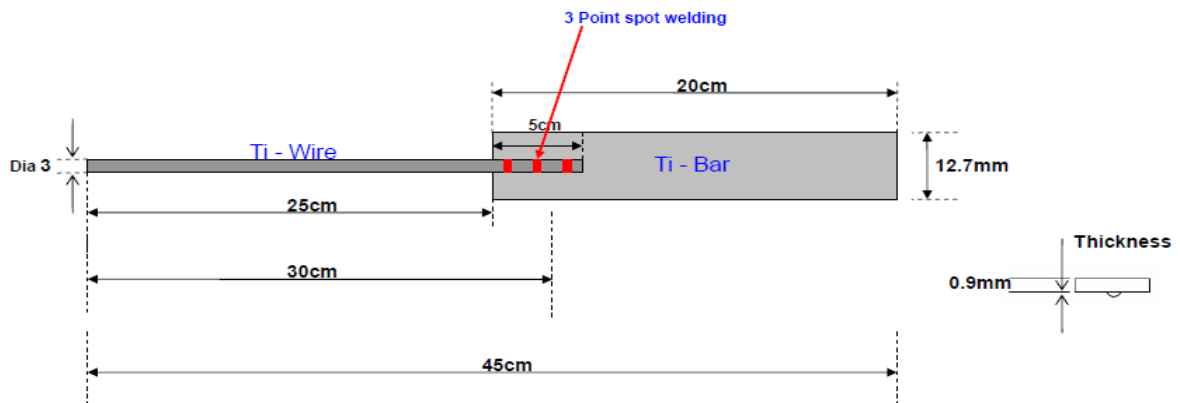
Sample

Technical Data

Substrate

Material

Titanium plate gr. 1 ASTM B 265 welded on titanium 3 mm rod gr. 1 ASTM B 863



Weight

20 g

Delivery

Packaging

Wooden box

This Technical sheet is provided by Chemical Newtech SpA as a reference. All the above information is based upon tests which are regarded as reliable, however the data above does not constitute a warranty. With your order confirmation you will receive a technical data sheet which contains the actual performance data related to your purchase. Use of our products by others is beyond our control, thus we cannot guarantee performance if the operating conditions are different than the ones above represented as standard. Hiseo is a registered trademark of Chemical Newtech SpA



Chemical Newtech SpA | Via Piemonte 19, Capriolo (BS), 25031 Italy
C.C.I.A.A. - R.E.A.n. BS-492326 Share Cap. € 1.000.000 F. P. up
C.F / P.IVA: 02946170988

www.chemicalnewtech.com

info@chemicalnewtech.com

T: +39 030 74 60 669

